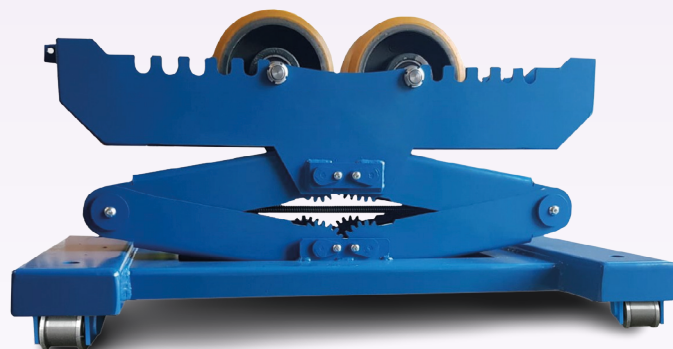
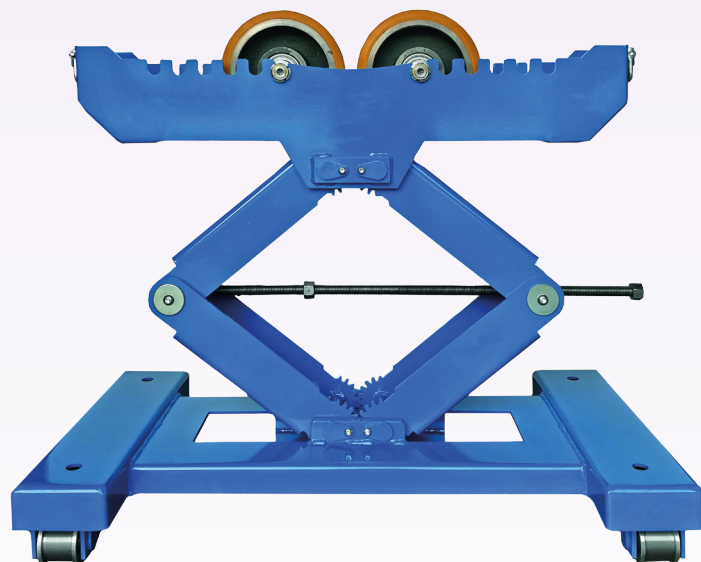
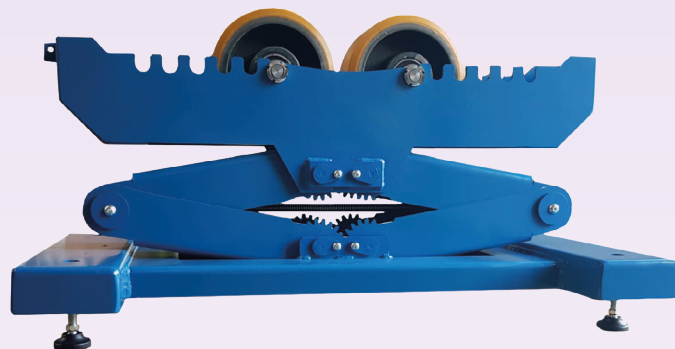
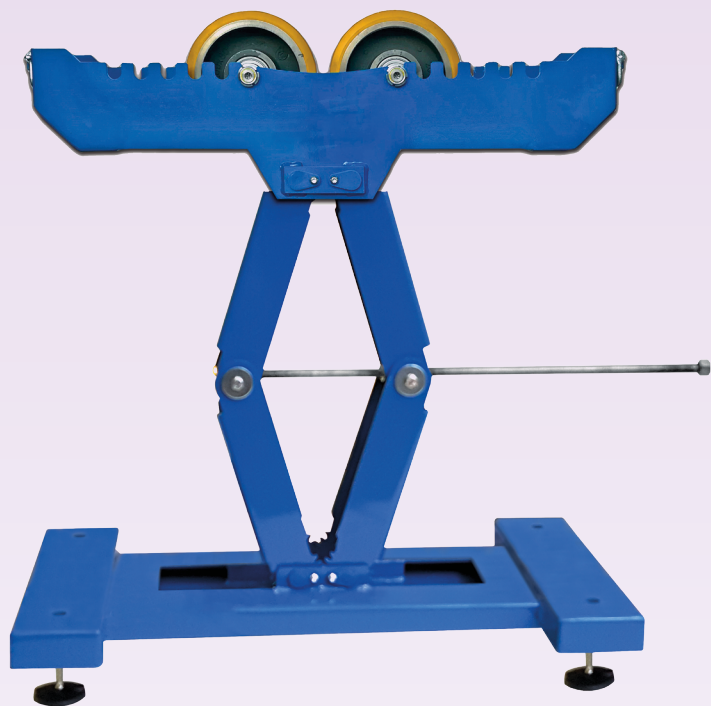
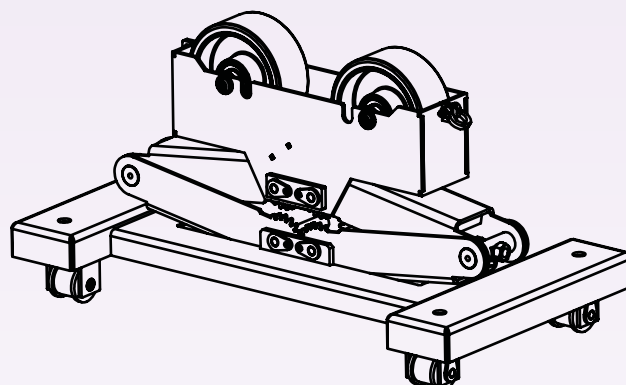
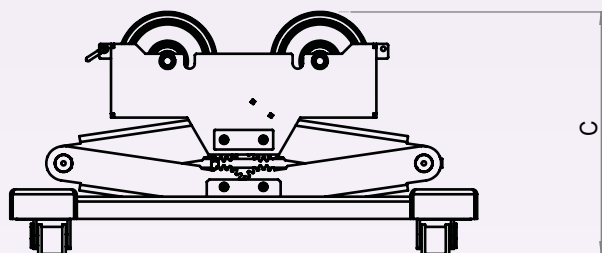
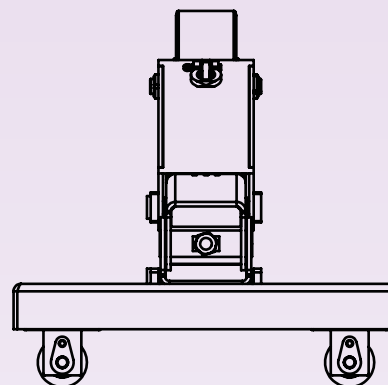
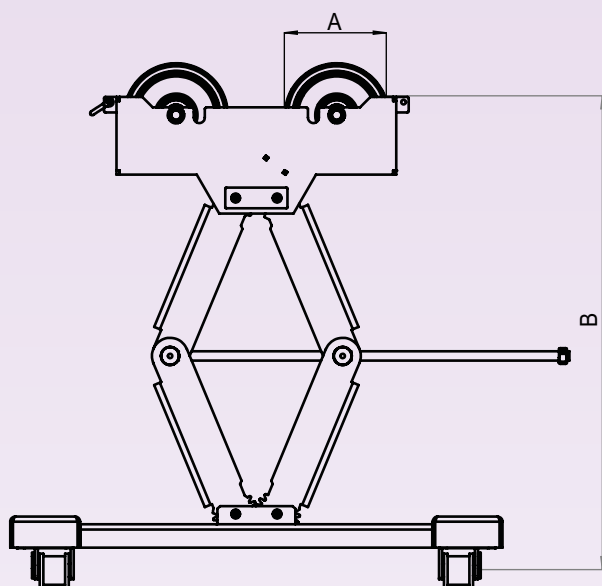


# LIFT 1200 FISSO/SCORREVOLE



# LIFT 1200 FISSO/SCORREVOLE



LIFT 1200		
WHEEL DIAMETER (A)	DIAMETRO RUOTE (A)	200 mm
H MAX (B)	ALTEZZA MAX (B)	962 mm
H MIN (C)	ALTEZZA MIN (C)	433 mm
MAXIMUM CAPACITY	PORTATA MASSIMA	1200 kg
ø MIN	DIAMETRO MINIMO RUOTABILE	100 mm
ø MAX	DIAMETRO MASSIMO RUOTABILE	1200 mm
WEIGHT	PESO	110 kg
WHEEL CENTRE DISTANCE (SLIDING VERSION)	INTERASSE RUOTE (VERSIONE SCORREVOLE)	800/950 mm